



Brüel & Kjær Vibro

A member of the NSK Group



Product specifications and ordering information

VC-8000

SP-2020/SSI Signal Simulator Interface

Copyright © 2022 Brüel & Kjær Vibro GmbH

All rights to this technical documentation remain reserved.

Any corporeal or incorporeal reproduction or dissemination of this technical documentation or making this document available to the public without prior written approval from Brüel & Kjær Vibro GmbH shall be prohibited. This also applies to parts of this technical documentation.

Product specifications and ordering information **VC-8000 SP-2020/SSI Signal Simulator Interface**, S1095333.002 / V06, en, date of issue: 14.04.2022

Brüel & Kjær Vibro GmbH

Leydheckerstrasse. 10
64293 Darmstadt
Germany

Phone: +49 6151 428 0
Fax: +49 6151 428 1000

Hotline

Phone: +49 6151 428 1400
E-Mail: support@bkvibro.com

Brüel & Kjær Vibro A/S

Lyngby Hovedgade 94, 5 sal
2800 Lyngby
Denmark

Phone: +45 69 89 03 00
Fax: +45 69 89 03 01

Homepage

www.bkvibro.com

BK Vibro America Inc

1100 Mark Circle
Gardnerville NV 89410
USA

Phone: +1 (775) 552 3110

Corporate E-Mail

info@bkvibro.com

Table of Contents

Overview	4
Features and Benefits	5
Specifications	5
Ordering Information.....	6
Wired or Wireless Connections.....	7
Typical Wiring Diagram.....	8



Overview

The Signal Simulator Interface (SSI) allows easy connection of a signal generator to a vibration monitoring module for simulating up to two channels of dynamic vibration. The SSI also provides DC offset¹ adjustment from -2 V to 22 V, used for simulating static measurements that rely on changes in gap or bias voltage, such as axial thrust position and sensor OK limits.

A standard 3.5 mm stereo headphone jack connects the SSI to a single- or dual-channel signal generator². A composite signal consisting of the DC bias voltage and the AC waveform will be output from the SSI, simulating the signal from a proximity probe, accelerometer, or velocity transducer. Each composite signal is supplied to the vibration monitor using the included cable. The standard cable used between the SSI and the monitoring system has an RJ45 connector on the SSI end and flying leads terminated in ferrules on the other end, allowing insertion into the I/O terminal blocks used with most monitoring systems, including B&K Vibro VC-8000, VC-6000, Bently Nevada 3500, and many others.

Combined, the SSI and a signal generator allow testing and verification³ of numerous monitoring system functions such as vibration amplitude measurement, position measurement, alarm limits, OK limits, alarm delays, alarm voting logic, Timed OK channel defeat, latching and non-latching alarm types, channel filter response, signal integration, gap voltage measurement, and many others. The SSI obtains all necessary power directly from the connected vibration monitor and does not require a battery or other external power source.

For an affordable and highly compact signal generator solution, an Apple iPod® Touch, iPhone®, or iPad® device running our free BKVtools app can be used.

Connect the Headphone Out jack on the iDevice to the SIG jack on the SSI using the included SIG cable⁴. For even greater flexibility, off-the-shelf Bluetooth devices⁵ can be used to wirelessly connect the SSI to the associated iDevice running BKVtools.



NOTES:

1. Most signal generators are capable of supplying only +/- 5 V of DC offset. This is not sufficient to simulate the full range of typical thrust position measurements or transducer OK limits. The SSI permits simulation of such measurements by providing -2 Vdc to -22 Vdc of offset adjustment.
2. When a single-channel signal generator is used, a composite AC/DC signal will only be available from channel 1 of the SSI. DC gap voltage adjustment will still be available for channel 2, but no AC signal will be present.
3. While surprisingly accurate, the BKVtools app and corresponding iPad/iPhone/iPod hardware is not suitable for system calibration tasks that require traceability to a reference standard.
4. The SIG cable has a 3.5 mm stereo male plug on each end.
5. For example, MPOW's Bluetooth receiver (model MBR1).

Features and Benefits

- Works Great with iPod, iPhone, or iPad**
 Although the SSI will work with any signal generator or AC signal source, it is especially convenient when used with an Apple iPod Touch or iPhone due to the diminutive size and portability of a 2-CH signal generator that fits in your pocket.
- Mistake-Proof**
 All inputs/outputs on the SSI are clearly labeled, connectors are keyed, and cables are pre-assembled to ensure no wiring or connection mistakes occur.
- Capable**
 Most signal generators, regardless of price, provide only ± 5 V of DC offset adjustment. In contrast, the SSI solution delivers the full range of DC offset adjustment required by proximity probe channels. The result is a complete 2-CH vibration signal simulator solution with adjustable waveform type, amplitude, frequency, phase, and gap voltage offset range. The SSI can thus be used to simulate outputs from thrust probes, radial vibration probes, seismic sensors, and phase reference probes, ideal for conducting loop checks and other system verification tasks.

Specifications

All specifications are at +25 °C (+77° F) unless otherwise noted. Specifications are subject to change without notice.

Power	-24 Vdc (supplied by UMM)
Channels	Two
Channel Adjustment Range	Gap: -2 Vdc to -22 Vdc AC signal: Adjusted via external signal source, such as iPod running Sig Gen app. Components in SSI limit total signal amplitude (AC + gap) to ± 24 V.
Dimensions (L x W x D)	3.97" x 2.02" x 1.65" (100.9 x 51.4 x 41.9 mm)
Cable Type	<ul style="list-style-type: none"> Monitor: Standard RJ45 connector (male) one end; four flying leads with ferrules on other end (SIG 1, SIG 2, COM, PWR) SIG: 24AWG, 3 conductors, shielded; 3.5mm male stereo plug both ends
Cable Length	<ul style="list-style-type: none"> Monitor: 36" (914 mm) SIG: 72" (1829 mm)
Weight (including cables)	0.5 lbs (227 g)
Operating Temperature	-5 to + 150° F (-20 to +65 °C)



Ordering Information

SETPOINT Signal Simulator Interface (SSI)

This part includes only the SSI and cables. Signal generator, iDevice, and (optional) Bluetooth receiver sold separately by their respective manufacturers.

- C107217.001**
- VC-8000 Signal Simulator Interface**
- Monitor cable (RJ45), 3-foot (~1m),
- Function generator cable, 6-foot (~2m)



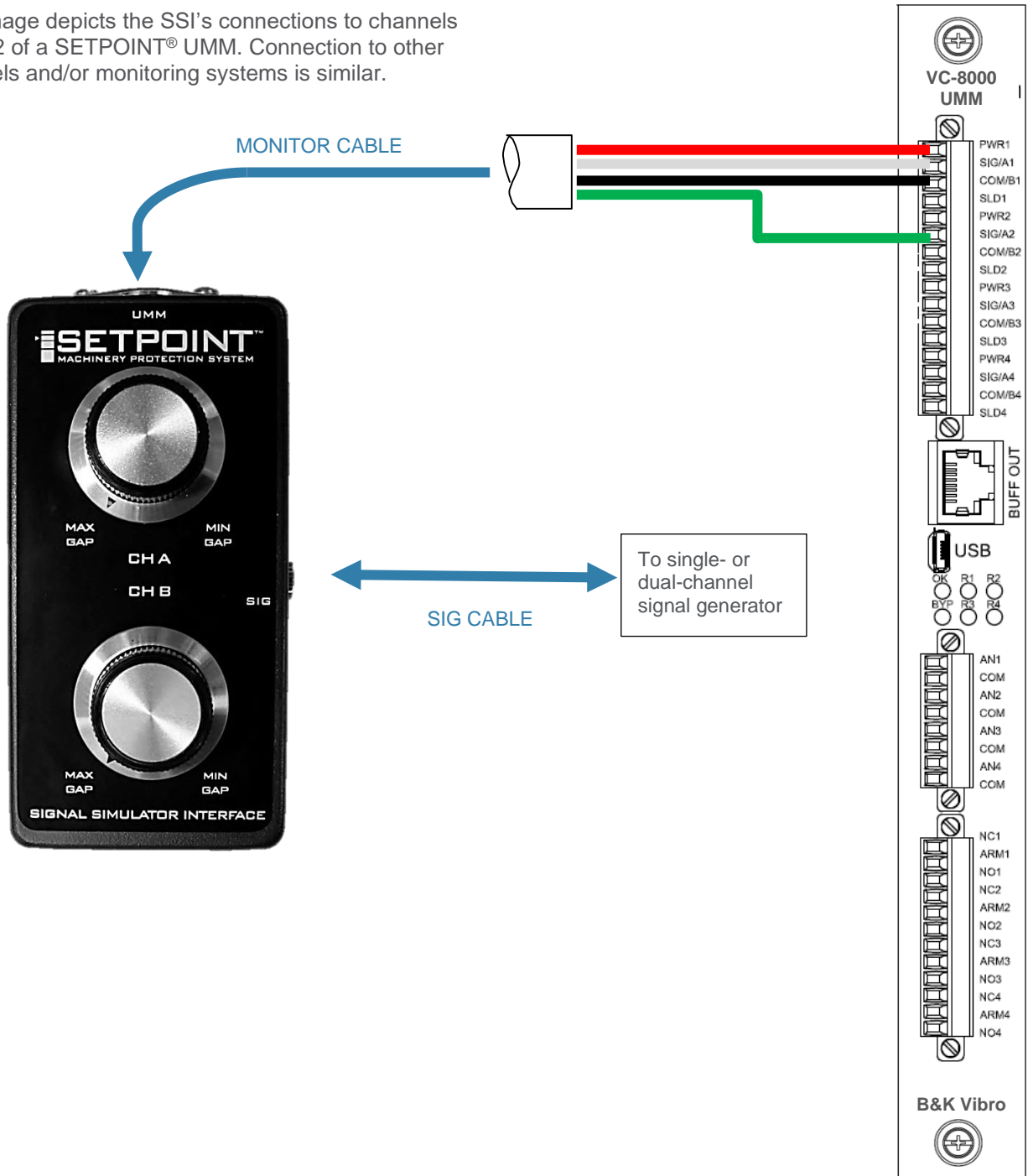
Wired or Wireless Connections





Typical Wiring Diagram

This image depicts the SSI's connections to channels 1 and 2 of a SETPOINT® UMM. Connection to other channels and/or monitoring systems is similar.



Contact

Brüel & Kjær Vibro GmbH

Leydheckerstrasse 10
64293 Darmstadt
Germany

Phone: +49 6151 428 0
Fax: +49 6151 428 1000

Corporate E-Mail: info@bkvibro.com

Brüel & Kjær Vibro A/S

Lyngby Hovedgade 94, 5 sal
2800 Lyngby
Denmark

Phone: +45 69 89 03 00
Fax: +45 69 89 03 01

Homepage: www.bkvibro.com

BK Vibro America Inc

1100 Mark Circle
Gardnerville NV 89410
USA

Phone: +1 (775) 552 3110