



Product Specification Acceleration Sensor AS-668

Features

- Robust design
- M12 plug
- Constant current supplied
- General purpose



Applications

The accelerometer AS-668 is ideally suitable for general measurements on rotating machinery. It covers a broad application range like monitoring of turbines, fans, pumps, generators, etc.

Product description

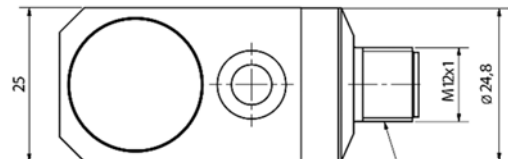
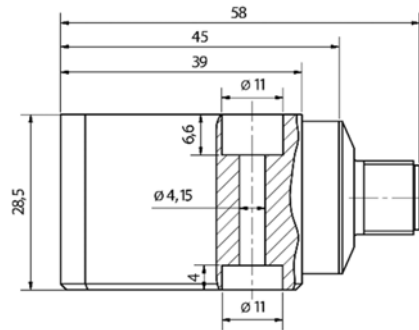
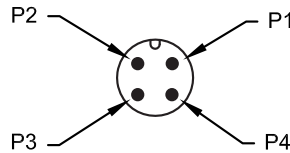
Scope of delivery

Sensor AS-668
Socked head screw M6x30 according to ISO4762 (hexagon socket)
Documentation

Connection

Plug connection (M12 male)

- Pin 1: SIG
- Pin 2: 0V / GND
- Pin 3: not connected
- Pin 4: not connected



Length in [mm]

For M12-Plug

Technical Data

The following performance data apply, to the extent that nothing else is indicated, under standard conditions (Ambient temperature = 25 °C, Constant current = 4 mA).

Dynamic

Sensitivity, nom. (at 80 Hz):	100 mV/g \pm 10 %
Frequency response:	0,5 Hz .. 13 kHz: \pm 3 dB 1,5 Hz .. 10 kHz: \pm 10 %
Measurement range:	60 g Peak
Resonance frequency:	typically 30 kHz
Amplitude linearity:	< 1 %
Cross sensitivity:	typically 5 %

Electric

Maximum output voltage:	27 V
Constant current supply (secure against reverse polarity):	2 mA .. 10 mA
Output resistance:	100 Ω
Bias voltage:	typically 12,9 VDC
Across entire temperature range:	12,4 VDC .. 13,4 VDC
Grounding:	Housing isolated against sensor electronic

Surroundings

Operating temperature range:	-55 °C .. +125 °C
Storage temperature range in original packaging:	-20 °C .. +70 °C
Overload capacity:	Constant, sinusoidal: 500 g Schock: 5.000 g
Housing design:	Hermetically sealed stainless steel housing
Degree of protection acc. EN 60529:	IP66 / IP67

Physical values

Measurement principle:	Piezoelectric principle, compression type
Weight:	175 g
Housing material:	stainless steel 1.4404
Mounting screw:	ISO 4762 M6x30 or ¼"-28UNFx30
Mounting torque:	3,5 Nm
Connection:	M12 plug, male, 4-pole

Order code

AS-668

Accessories

AC-1403: double-wired connection cable with straight plug (M12)
AC-1404: double-wired connection cable with angled plug (M12)