



Non-contacting sensors / berührungslose Sensoren DS



Sensor

DS-105x

DS-108x

DS-116x

Sensor with fixed cable (selectable):

0.5m fixed at sensor +

1.0m fixed at sensor +

5.0m fixed at sensor +

10m fixed at sensor +

Extension cable

EC-1001 (without cable protection)

EC-1002 (with steel conduit protection)

EC-1003 (with silthane conduit protection)

Oscillator

OD-105x

OD-108x

OD-1162

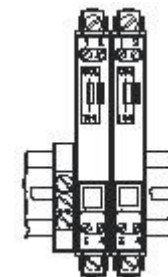
Safety barriers

For displacement sensors

AC-4298 (EExi)

Accessories

AC-2280 Acc. connector protection





a) EExi installation of non-contacting sensor DS

Sensor installation

Sensor holder AC-101
Fitting AC-2301/4/40/2/1
M14 x 1 – M16 x 1.5

Cable protection

Steel conduit AC-2201/16
Conduit fitting AC-2202/16

Oscillator housing

AC-2106 for max. 6 oscillators

Signal cable

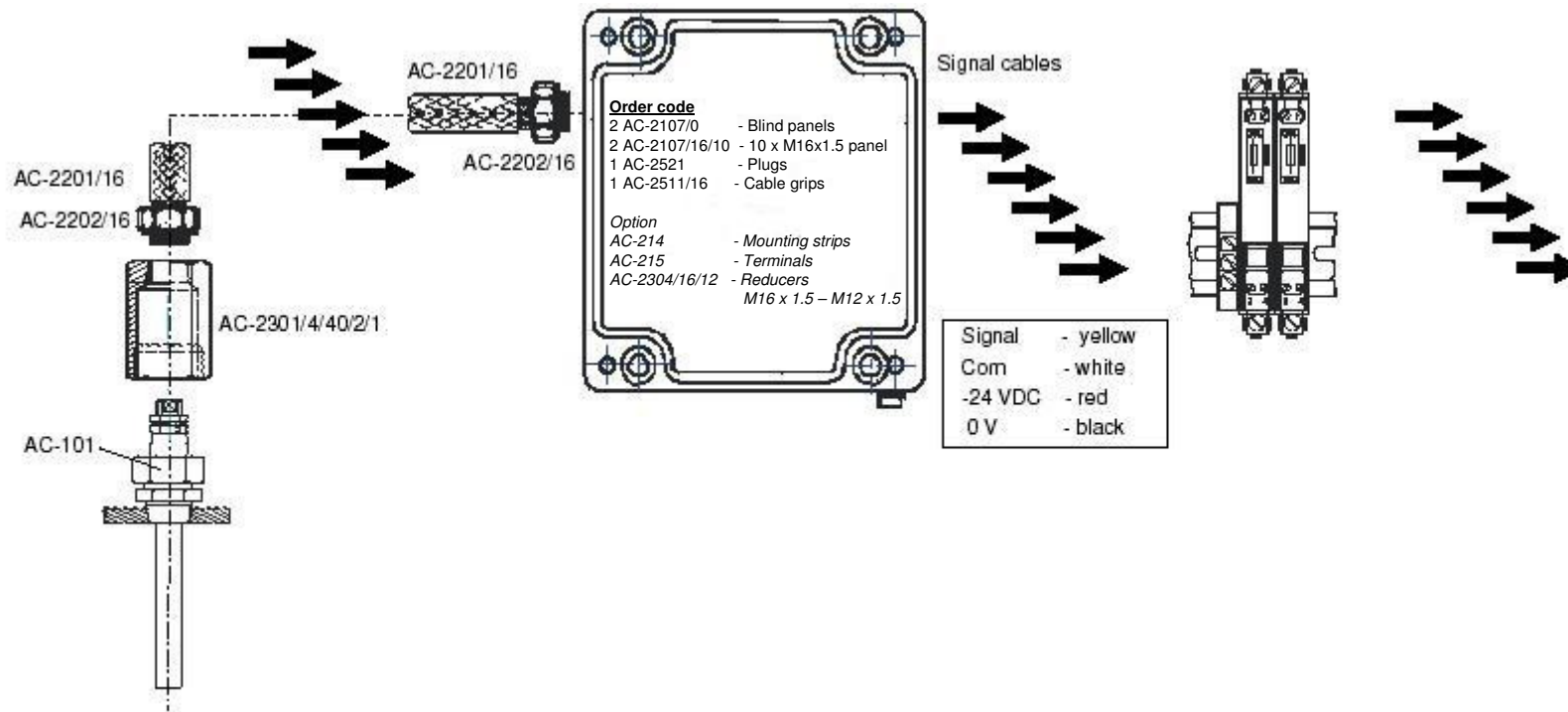
AC-114 – 4 x 0.5 mm²

Safety barriers

AC-4298 – EExi
Consists of: Signal barrier
Supply barrier

Signal cable

AC-112 – 4 x 0.5 mm²





b) EExi installation of non-contacting sensor DS

Sensor installation

Terminal head AC-104
with 2 x AC-323
Sensor holder AC-101

Cable protection

Steel conduit AC-2201/16
Conduit fitting AC-2202/16

Oscillator housing

AC-2106 for max. 6 oscillators

Signal cable

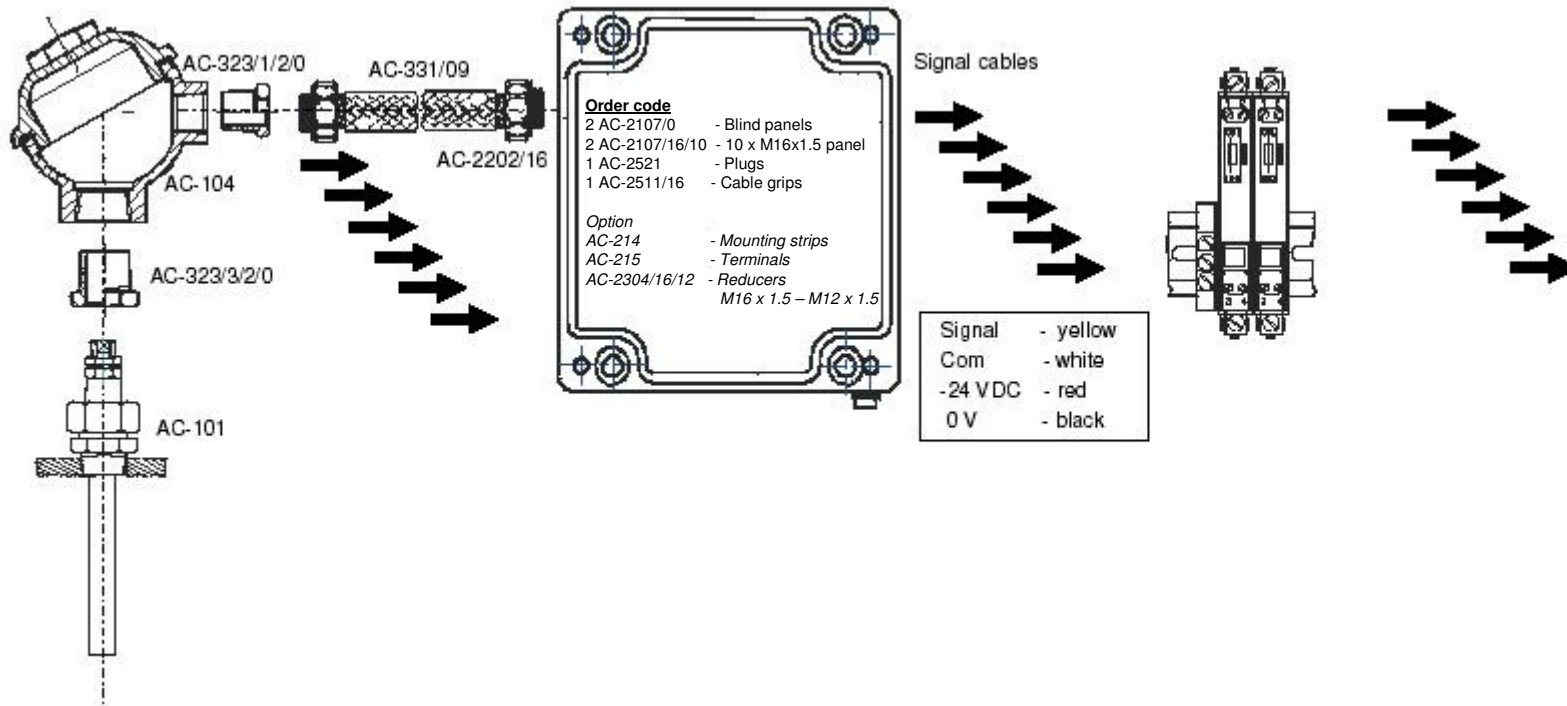
AC-114 – 4 x 0.5 mm²

Safety barriers

AC-4298 – EExi
Consists of: Signal barrier
Supply barrier

Signal cable

AC-112 – 4 x 0.5 mm²





c) EExi installation of non-contacting sensor DS

Sensor installation

Terminal head AC-104
with AC-323
Sensor holder AC-105

Cable protection

Steel conduit AC-2201/16
Conduit fitting AC-2202/16

Oscillator housing

AC-2106 for max. 6 oscillators

Signal cable

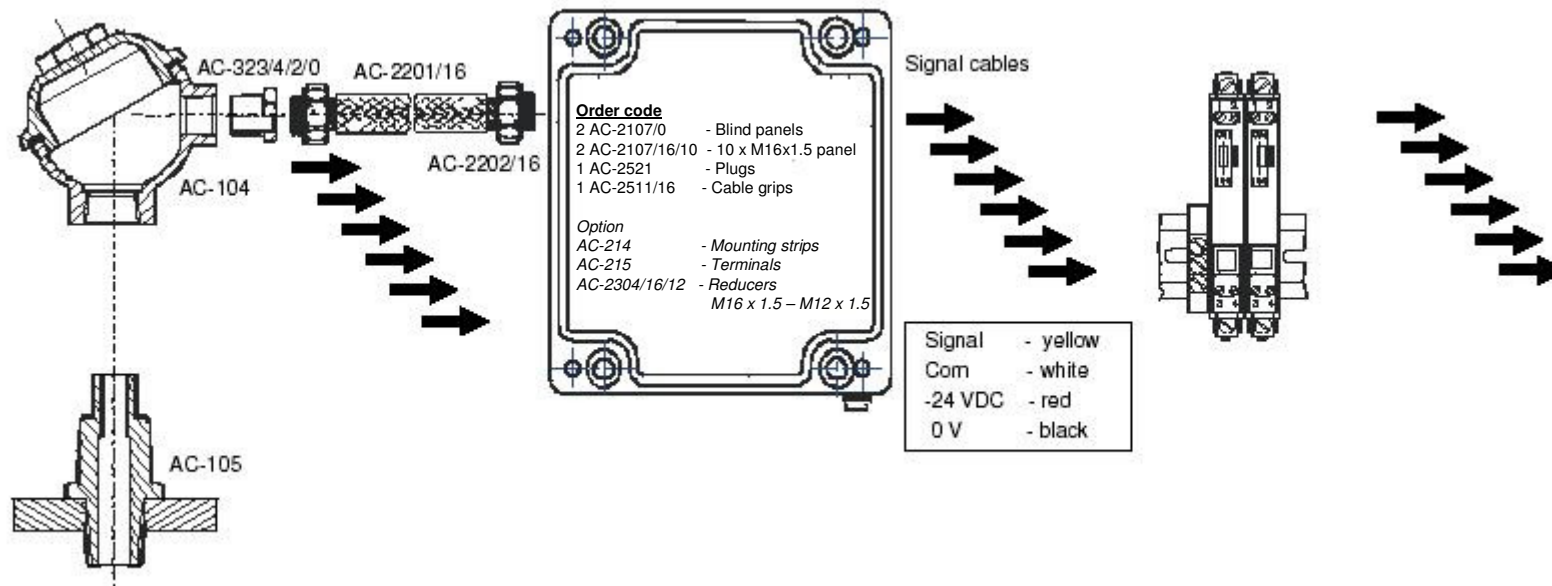
AC-114 – 4 x 0.5 mm²

Safety barriers

AC-4298 – EExi
Consists of: Signal barrier
Supply barrier

Signal cable

AC-112 – 4 x 0.5 mm²





d) EExi installation of non-contacting sensor DS

Sensor installation

Sensor holder AC-105
Fitting AC-2301/3/40/2/1

Cable protection

Steel conduit AC-2201/16
Conduit fitting AC-2202/16

Oscillator housing

AC-2106 for max. 6 oscillators

Signal cable

AC-114 – 4 x 0.5 mm²

Safety barriers

AC-4298 – EExi
Consists of: Signal barrier
Supply barrier

Signal cable

AC-112 – 4 x 0.5 mm²

