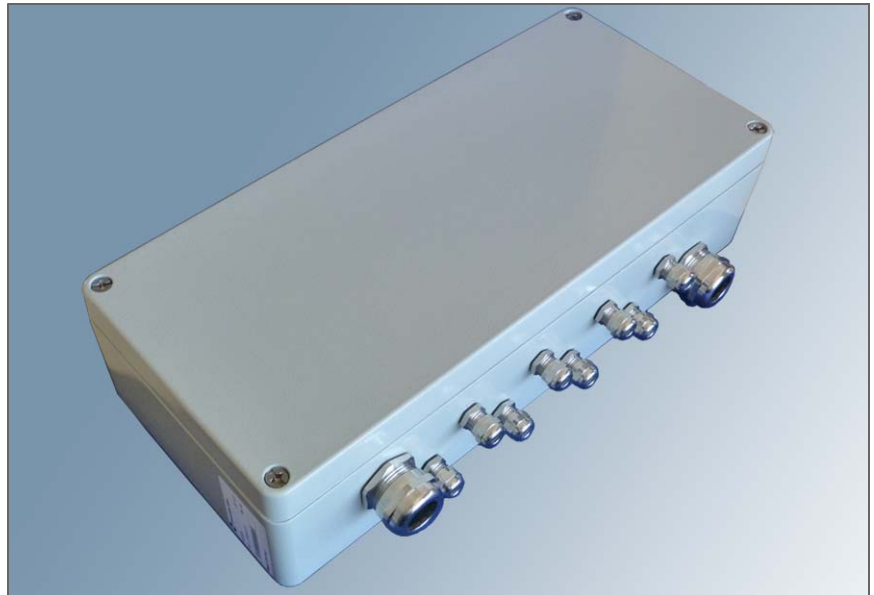




## Terminal housing AC-2125



C104797.002 / V01

© AC-2125 EN 14.11.12

### Use

#### NOTE



This manual is a part of the product. Read the manual carefully before using the product.

The AC-2125 is a terminal housing. With it, a number of types of installation can be realised.

### Scope of Supply

No mounting screws are included in the scope of supply.

Fittings:

- 8x M12x1,5 with brass plugs
- 2x M25x1,5 with brass plugs

Accessories pack:

- 8x EMV-fitting with O-ring
- 2x EMV-fitting with O-ring



## Technical Data

Dimensions (B x L x H):	160 mm x 360 mm x 91 mm
Weight:	3 kg
Material:	Aluminium
Outside paint:	RAL 7032
Seal:	HF Neusil
Rail:	TS 35
Working temperature:	- 30 °C to + 100 °C
Protection class:	IP-66 according to EN 60529
Cable fittings:	8x M12 x 1,5 mm
Clamping range:	3 - 6,5 mm
Cable fittings:	2x M25 x 1,5 mm
Clamping range:	13 - 18 mm

## Dimensioning

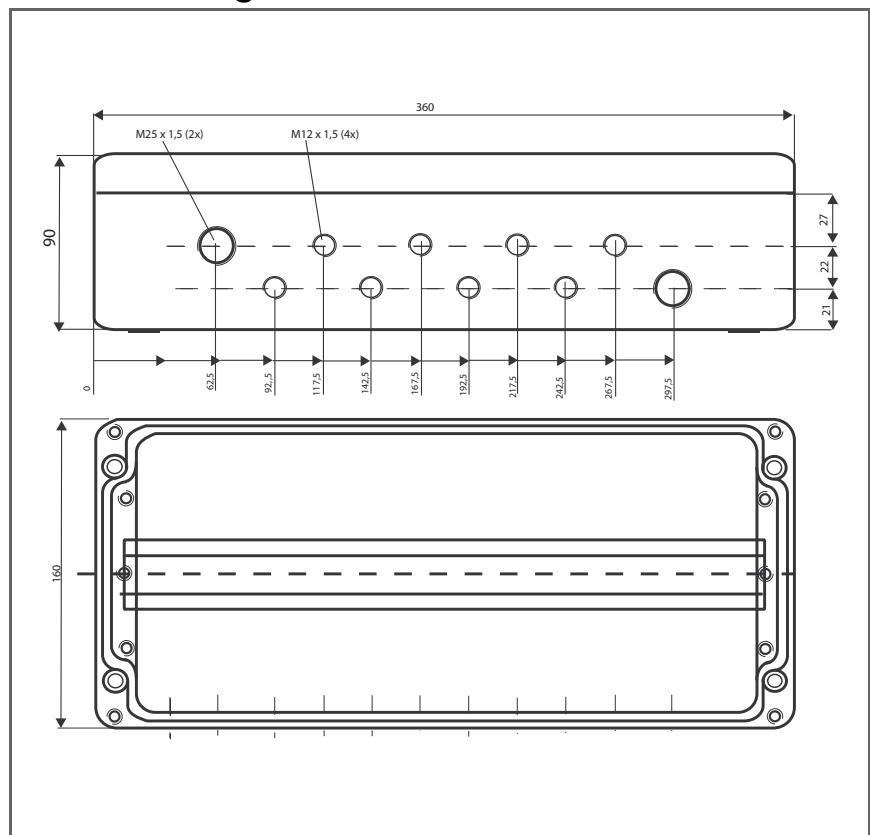
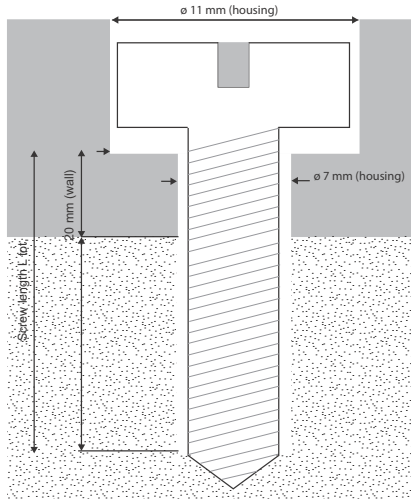


Figure 1) Dimensions of the AC-2125 terminal housing





## Assembly



### Requirements

- ⇒ Secure the terminal box to non-vibrating machine parts.
- ⇒ Observe the temperature (radiative heating) at the installation site.
- ⇒ For mounting you need a free surface of at least 360 mm x 160 mm.

### Mounting the housing

The correct spacing of the drill holes is drawn on the back of the terminal box.

#### Holes for wall mounting

1. First, mark the positions for the drill holes.
2. Drill the four mounting holes.
3. Remove the housing cover.
4. Secure the housing: Screw in all 4 installation screws (Ø screw head < 10.5 mm).
5. Connect sensors.

#### NOTE



The cable fittings may limit the operating temperature. Take this into account for your installation.

#### NOTE



Unused cable fittings may not be left open, as otherwise the IP protection is not ensured.

- ⇒ Ensure that the seals and seal surfaces are not soiled.
- 7. Close the unused cable fittings with the included plugs.
- 8. Put the housing cover back on: Screw on the cover with the 4 mounting screws.



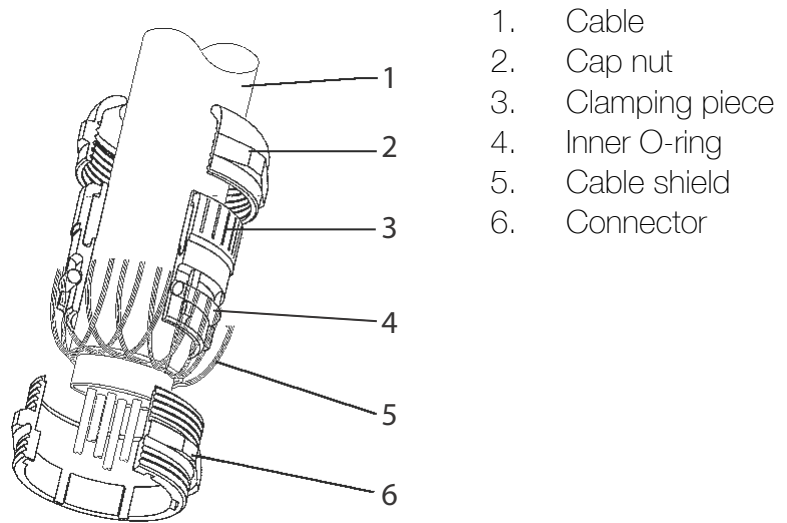


Figure 2) *Layout of the cable shield in the cable fitting*

