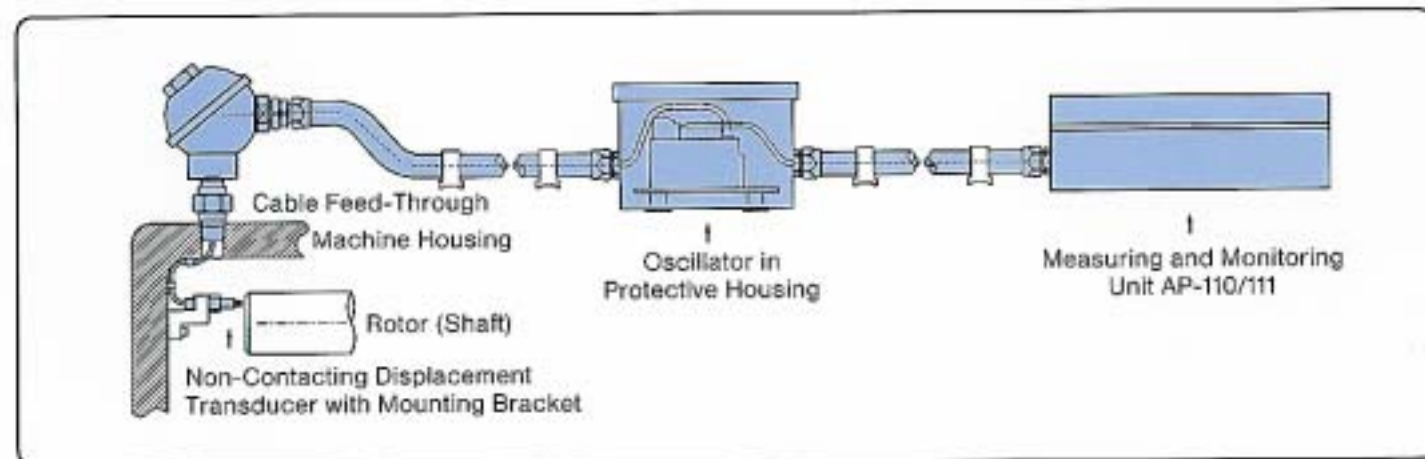


Fig 17: VIBROCONTROL AP-110 with displacement transducer and analog meter



Fig 18: The components of VIBROCONTROL 1000, Series A



Technical Data

Measuring/ Monitoring Unit

Electronic	AP-110 AP-116
Measured Parameter	Static axial position relative to a preselectable zero position (positive as well as negative direction of measurement)
Input Signal	1, non-contacting displacement transducer of the SD-... and IN-... Series
Measuring Range	0 ... $\pm 0.5/1/2/5$ mm
Operating Frequency	0 ... 2 Hz (-3 dB)
Zero Setting	
Analog Output	0/4 ... 20 mA and 0 ... 10 V Working resistance $\leq 500 \Omega$, Load resistance $\geq 100 \text{ k}\Omega$
Limits Adjustment range	4 (2 per measuring direction) -100% ... 0 ... +100% of measuring range
Response Delay for Limit 1+ und 1- for Limit 2+ und 2-	0.03/1/3/10 sec 0.03/1/3/10 sec
Limit Relays Contact rating	2 (Single pole) AC 400 VA/250 V DC 10 ... 100 W
Self-Monitoring ¹⁾	yes
Supply Voltage AP-110 AP-116	AC Voltage: 230/115 V (+10 ... -15%) 50/60 Hz DC Voltage: 24 V (15 ... 40 V)
Operating Conditions	Operating temperature range -30 ... +65 °C Storage temperature range -40 ... +100 °C Relative humidity max. 95%, non condensing
Housing Construction	Sturdy aluminium housing meeting IP 65, painted RAL 7032, with cable feed-through fittings
Weight	ca. 4.5 kg

¹⁾ Self-Monitoring: A separate, normally energized "OK-Relay" monitors transducer gap voltage, cable, and power supply for possible faults.

Dimensions

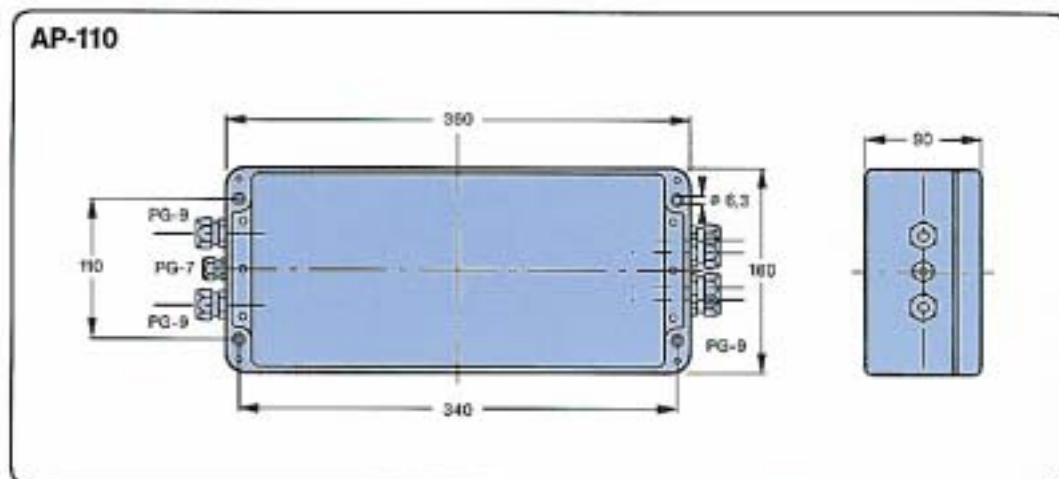


Fig 19:
VIBROCONTROL 1000,
Series A

